



RE:	CHANGING MAIN SHAFT MOTOR
Models	TFGN2, TFGN2-C, TFSN
Sections Changed	1. Main shaft motor (1.5KW) 2. Bracket and Cover for Main shaft motor
Reasons	Because the current motor has been suspended from production
Schedule	From May 2015
Introduction	
MFG. Numbers Applicable	(*) Please refer to MFG.Numbers table on the bottom of this page. Click here to move to the table
Compatibility	NO
Accommodation to Customer-installed Machines	Not Necessary, Not Available
Details	

1. Change of Main shaft motor

Main shaft motor (1.5KW) is changed as the list below.

	Before change	After change
Part Name	Motor :1.5KW	Motor :High efficiency :1.5KW
Part No.	0J6402100012	0J6403200000
Compatibility	Not compatible (*1)	

(*1) There is no compatibility because the inverter setting and the bracket/cover also are changed according to the change of the motor.

2. Change of Bracket, Cover

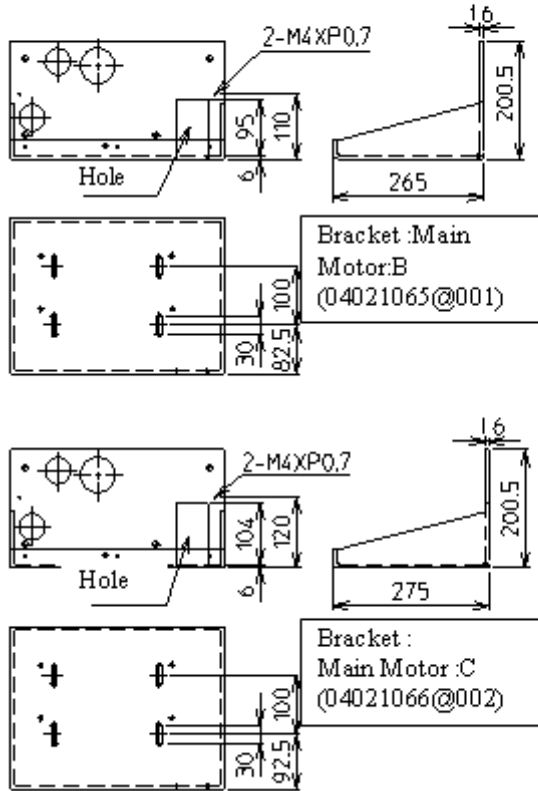
According to the change of the motor, the bracket and cover also are changed.

The bracket/cover after change can be used also for the motor before change and the motor (high efficiency) after change. Before the change, the cover was in two types used depending on the length of Arm Support Square Pipe. After the change, the cover is unified to one type.

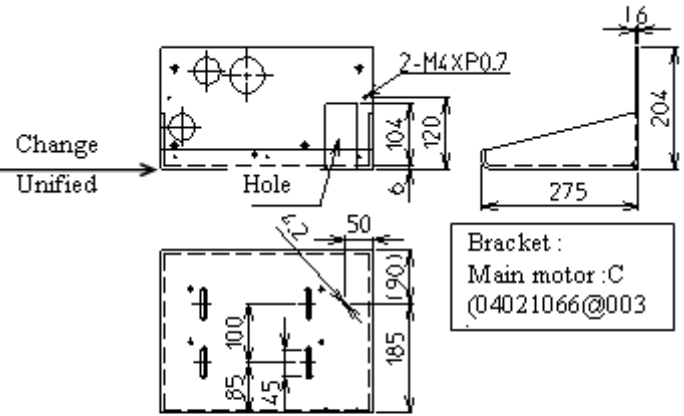
(1) Change of Bracket

<Before change>

Upper : Arm Support Square Pipe 300mm
 Lower : Arm Support Square Pipe 400mm

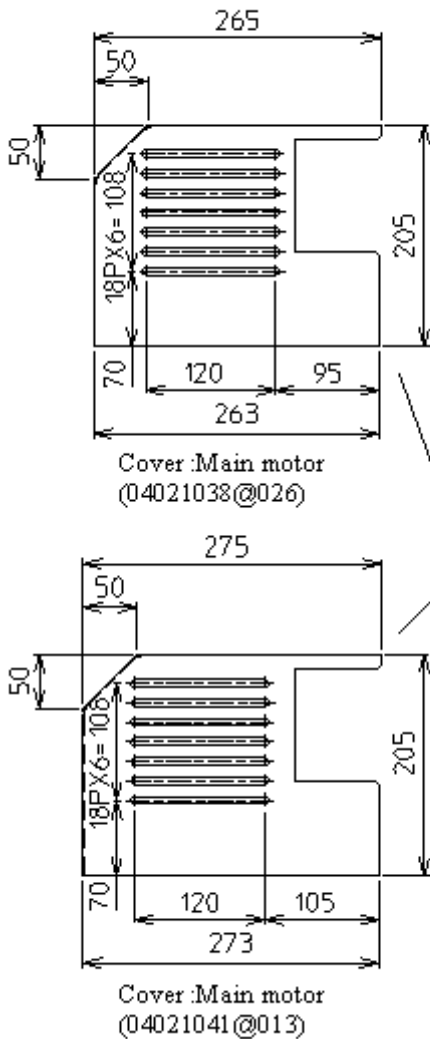


<After change>

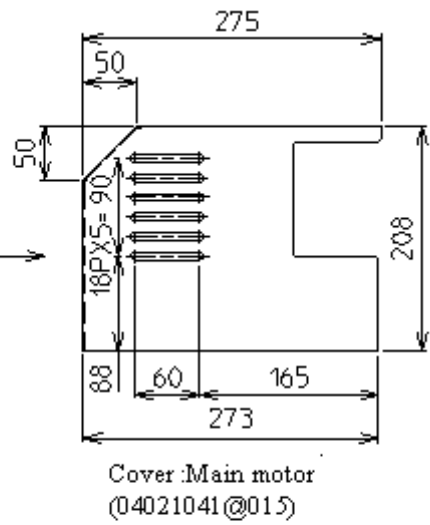


(2) Change of Cover

<Before change>



<After change>



Introduction

"Bracket" and "Cover" will be changed from May 2015 prior to the change of Main shaft motor.

MFG. Numbers Applicable

Models	MFG/No. Introduction	Single Needle	3 Needles	6 Needles	9 Needles	12 Needles	15 Needles
TFGN2	MFG/No.	20104. 20103	20808~20813. 20817~20830.20832~20834.		20229. 20233.20234.20236.20237		20005
	Introduction	2015/07 M	2015/07 M		2015/07 M		
TFGN2-C	MFG/No.					20010	20002
	Introduction						
TFSN	MFG/No.						
	Introduction						