



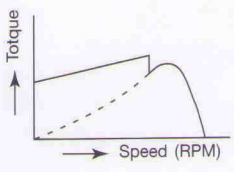
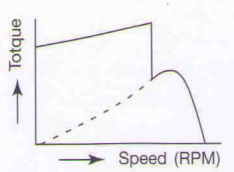
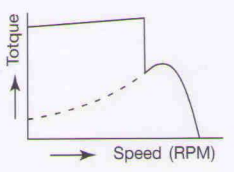
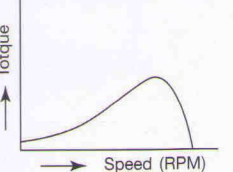
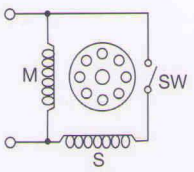
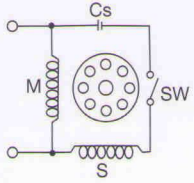
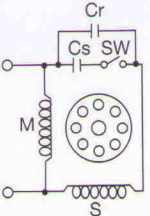
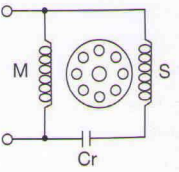


TYPE	SPLIT-PHASE START	CAPACITOR START	CAPACITOR START CAPACITOR RUN	CAPACITOR RUN
MODEL	KT	KR	KQ	KP
APPEARANCE				
CHARACTERISTIC -CURVE				
CONNECTION				
	M : Main Coil S : Starting coil SW : Centrifugal Switch		Cs : Starting Capacitor Cr : Running Capacitor	
FEATURES	Simple Structure	High Starting Torque	High Starting Torque Lower Running Current	Low starting Torque Lower Running Current
APPLICATION	Drilling Machine Blower	Conveyor Pump	Compressor	Fan

SPECIFICATIONS

ITEM	SPECIFICATION								
STANDARD	JIS C4203, 4034								
RATING	CONTINUOUS [S1]								
INSULATION CLASS	E TYPE								
ENCLOSURES TYPE PROTECTION	<table border="1"> <thead> <tr> <th>ENCLOSURES</th> <th>TYPE</th> <th>PROTECTION</th> </tr> </thead> <tbody> <tr> <td>OPEN</td> <td>EFOU-KT, KR, KQ</td> <td rowspan="2">JP22</td> </tr> <tr> <td>PROOF</td> <td>EFOUP-KT, KR, KQ</td> </tr> </tbody> </table>	ENCLOSURES	TYPE	PROTECTION	OPEN	EFOU-KT, KR, KQ	JP22	PROOF	EFOUP-KT, KR, KQ
ENCLOSURES	TYPE	PROTECTION							
OPEN	EFOU-KT, KR, KQ	JP22							
PROOF	EFOUP-KT, KR, KQ								
VOLTAGE, FREQUENCY	220V 50Hz								
TYPE OF CABLE	Made from high temperature resistance plastic (end of pole conduct electric current)								
NUMBER OF CABLE	4 WIRES (1/4~1/3 HP-KT,-KR, 2~10 HP-KQ) 3 WIRES (1/2~1.5 HP-KR,-KQ)								
COLOUR	Rigail gray (MUNSELL 8.9Y5.1/0.3)								
TRANSMISSION	DIRECT COUPLING OR BELT DRIVE								
ROTATION	CW (VIEW FROM MOTOR DRIVE END)								
ENVIRONMENT	TEMPERATURE: -20°C ~ 40°C HUMIDITY: MAX 90%RH ALTITUDE: MAX 1,000 m ESTABLISHMENT: IN DOOR								
ATMOSPHERE	NO CORROSIVE GAS, NO EXPLOSIVE GAS, NO STEAM, NO DEW, LITTLE DUST								

The Wiring Connection and Propelling Direction

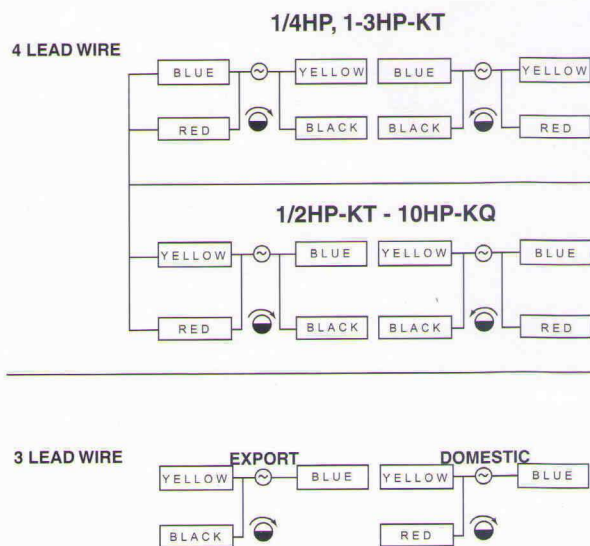




Fig.3

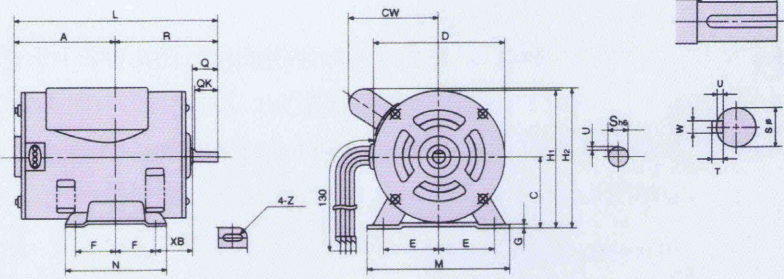


Fig.4

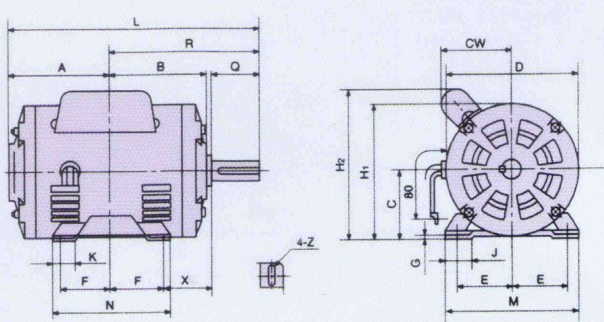


Fig.5

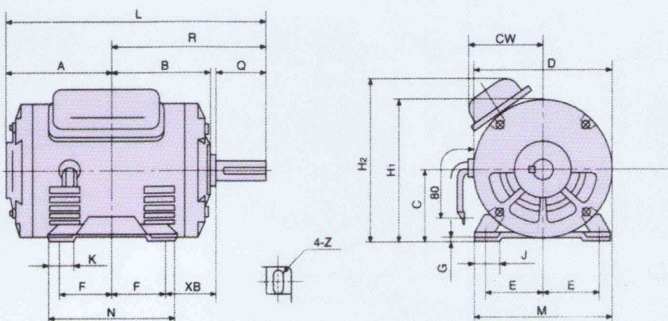


Fig.6

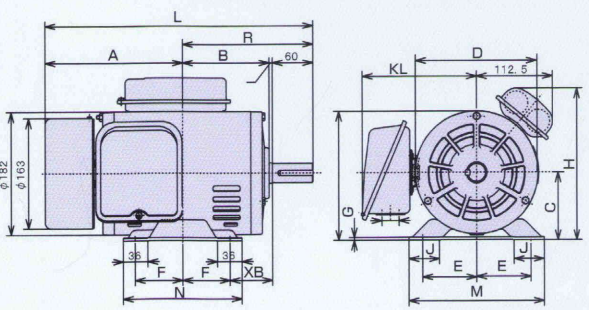
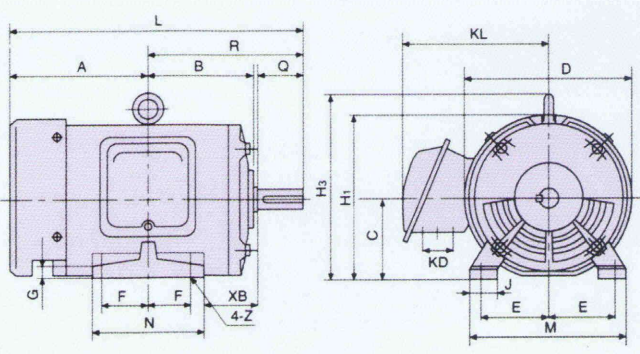


Fig.7



Type - Form	Rated Output		INS. Class	Voltage (V)	Frequency (Hz)	Current (A)	Speed (min ⁻¹)
	HP	kW					
EFOU-KT	1/8	0.1	E	220	50	1.4	1450
EFOU-KT	1/4	0.2	E	220	50	2.3	1450
EFOU-KT	1/3	0.25	E	220	50	2.7	1430
EFOUP-KT	1/2	0.4	E	220	50	3.7	1400
EFOU-KR	1/8	0.1	E	220	50	2.2	1450
EFOU-KR	1/4	0.2	E	220	50	2.2	1450
EFOU-KR	2/5	0.3	E	220	50	2.6	1440
EFOU-KR	1/3	0.25	E	220	50	2.6	1440
EFOU-KR	1/2	0.4	E	220	50	3.4	1430
EFOU-KR	1	0.75	E	220	50	6.6	1410
EFOUP-KQ	1.5	1.1	B	220	50	10.0	1430
EFOUP-KQ	2	1.5	B	220	50	10.0	1430
EFOUP-KQ	3	2.2	B	220	50	13.0	1440
EFOUP-KQ	5	3.7	B	220	50	26.0	1450
EFOUP-KQ	7.5	5.5	B	220	50	33.0	1450
EFOUP-KQ	10	7.5	B	220	50	42.0	1440

RESILIENT BASE MOUNTING MOTOR

The Motor is supported by synthetic-rubber ring called Absorber, which can absorb vibration stimuli. For motor resilient, it is suited for use in business industries and household. It can be adapted to use in chemical tools, medical apparatus, office supplies, preservatives, air conditioning, and other appliances consisted of propellers that can absorb vibration



- Rugged under most severe operating conditions - Totally enclosed fancooled type (TFO)



TFO-KQ (0.4, 0.55, 0.7kW)



TFO-KQ (0.4 kW)